

Pneumatic Air Cannons

CE Certified

DESCRIPTION

Pneumatic Air Cannons

Mecair produces a complete series of air cannons to dislodge all types of dust which stick to the walls of the hoppers and the bottom of the silos. These devices are more efficient than “fluidification” and “vibration” systems especially with particularly sticky dust. The air cannons consist of two basic elements: the first is the Mecair diaphragm valve with an extremely high flow rate and the second is an air accumulator. The valves are quick-opening and discharge instantaneously the pneumatic energy of the tank on which they are mounted, striking the material to be dislodged with a violent impulse of compressed air. A strong vibration spreads to all parts of the product, causing the dust to fall, without stressing the silos structure. The air cannons are available in 4 versions:

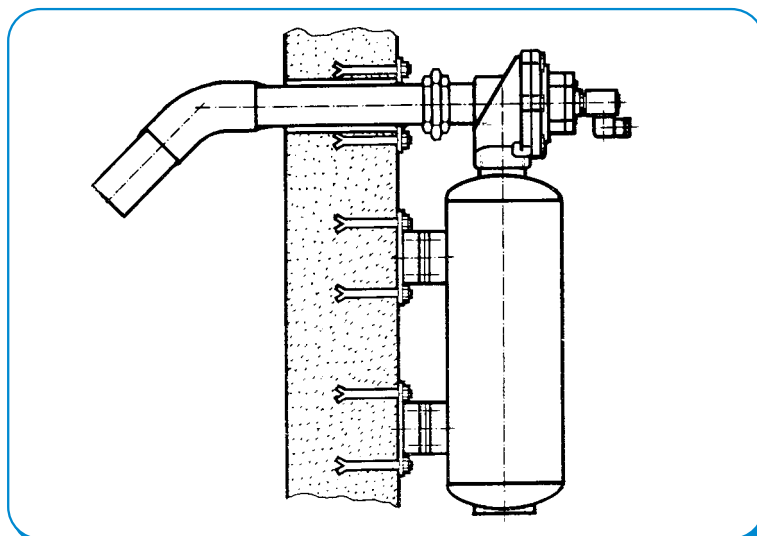
MODEL	TYPE	WEIGHT
CNN5	Diaphragm valve VNP 206 (3/4") + 5 litre air accumulator	7 Kg
CNN15	Diaphragm valve VNP 208 (1") + 15 litre air accumulator	13,5 Kg
CNN25	Diaphragm valve VNP 212 (1 1/2") + 25 litre air accumulator	20 Kg
CNN50	Diaphragm valve VNP 216 (2") + 50 litre air accumulator	43,5 Kg

CONSTRUCTIVE CHARACTERISTICS VALVE	
Top cover	Die-cast aluminium (Anodised)
Body	Die-cast aluminium (Anodised)
Bolts and screws	Stainless steel
Air Accumulator	Carbon steel

SAFETY RECOMMENDATIONS

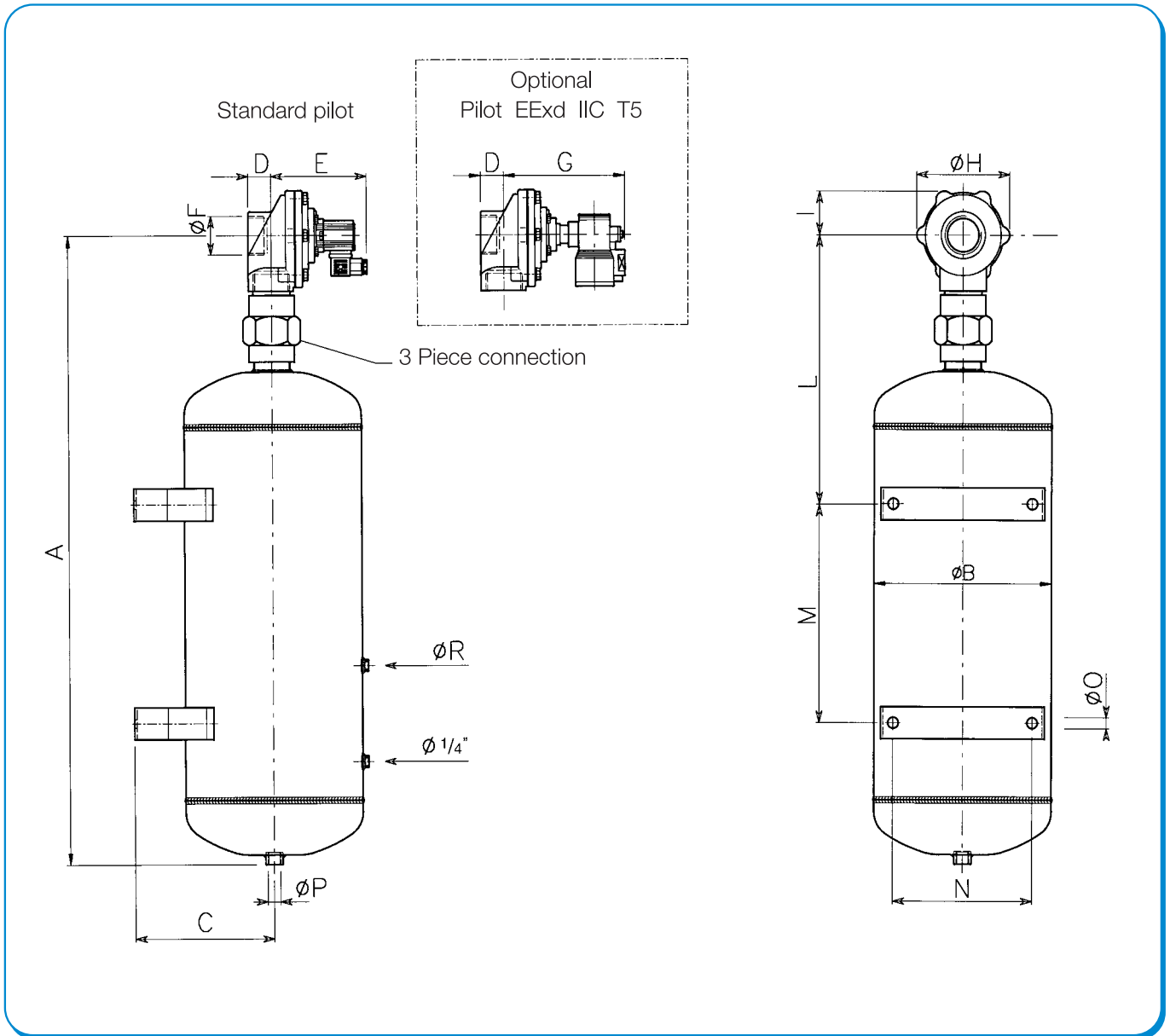
- The anchorage brackets must always be fixed before supplying the tank with compressed air.
- Before dismantling the tank from it's structure, shut off the supply of compressed air and ensure air accumulator has been emptied.
- Supply with compressed air filtered, oil free and with a maximum operating pressure of 0.5bar-7,5 bar.

EXAMPLE OF INSTALLATION



DIMENSIONS (mm)

Pneumatic Air Cannons



MODEL	A	Ø B	C	D	E	Ø F	VALVE	G	Ø H	I	L	M	N	Ø O	Ø P	Ø R
CNN5	515	141,3	100	18	100	3/4"	VNP206	140	60	34	230	150	120	13	1/2"	1/2"
CNN15	605	219,1	160	23	100	1"	VNP208	140	72	38	220	280	260	13	1/2"	1/2"
CNN25	895	219,1	160	31	122	1 1/2"	VNP212	162	135	58	362	320	260	13	1/2"	1/2"
CNN50	1180	273	200	35	171	2"	VNP216	211	160	75	445	460	295	13	1/2"	1/2"

Mecair S.r.l.

Via per Cinisello 97
20054 Nova Milanese - Milano
ITALY

Tel.: +39 0362 3751

Fax: +39 0362 367279

email: mecair@mecair.it

www.mecair.it

www.cleanairsystems.com

EUROPE

• **Tyco Umwelttechnik**
Im Petersfeld 6
D-65624 Altendiez
GERMANY
Tel.: +49 6432 1001/1002
Fax: +49 6432 63810

• **Goyen Controls Co UK Ltd**
Unit 3B Beechwood
Chineham Business Park
Basingstoke, Hampshire, RG24 8WA
UNITED KINGDOM
Tel.: +44 1256 817 800
Fax: +44 1256 843 164

ASIA PACIFIC

• **Goyen Controls Co Pty Ltd**
268 Milperra Road
Milperra
NSW 2214 AUSTRALIA
Tel.: +61 2 9792 0201
Fax: +61 2 9771 5380

• **Goyen S.R.O.**
Shanghai Representative Office
2521 Zhao Feng World Trade Building
369 Jiang Su Road Shanghai 200050 CHINA
Tel.: +86 21 5239 8810
Fax: +86 21 5239 8812

USA

• **Goyen Valve Corporation**
1195 Airport Road
Lakewood
New Jersey 08701 USA
Tel.: +1 732 364 7800
Fax: +1 732 364 7839